



LOCALLY OWNED  
AND OPERATED

Telephone (03) 5441 5933

Facsimile (03) 5443 3006

www.bendigowindows.com.au

24 McDOWALLS ROAD, BENDIGO, 3550

### sliding door and stacker door information

- All door diagrams shown below are viewed from the exterior
- All standard sliding doors are fitted with safety glass complete with motif
- Reveal lining is not fitted to the door sill
- Black hardware standard
- Doors can be made to a maximum 2850mm



X = Sliding Panel O = Fixed Panel (Viewed from exterior)

STUD	OPENING	FRAME SIZE	Diagram 1	Diagram 2	Diagram 3	Diagram 4	Diagram 5
2130mm	1560mm	1510mm	XO2115	XO2118	XO2121	XO2124	XO2127
2100mm	1860mm	1810mm					
	2160mm	2110mm					
	2460mm	2410mm					
	2760mm	2710mm					

note: Also available as OX configuration

STUD	OPENING	FRAME SIZE	Diagram 1	Diagram 2	Diagram 3	Diagram 4	Diagram 5
2130mm	2288mm	2238mm	OXO322	OXO327	OXO331	OXO336	OXO341
2100mm	2738mm	2688mm					
	3188mm	3138mm					
	3638mm	3588mm					
	4088mm	4038mm					

STUD	OPENING	FRAME SIZE	Diagram 1	Diagram 2	Diagram 3	Diagram 4	Diagram 5
2130mm	3034mm	2984mm	OXXO429	OXXO436	OXXO442	OXXO448	OXXO454
2100mm	3634mm	3584mm					
	4234mm	4184mm					
	4834mm	4784mm					
	5434mm	5384mm					

STUD	OPENING	DOOR SIZE	Diagram 1	Diagram 2	Diagram 3	Diagram 4	Diagram 5
2130mm	2288mm	2238mm	XXO2122	XXO2127	XXO2132	XXO2136	XXO2140
2100mm	2738mm	2688mm					
	3188mm	3138mm					
	3638mm	3588mm					
	4088mm	4038mm					

note: Also available as OXX configuration

STUD	OPENING	DOOR SIZE	Diagram 1	Diagram 2	Diagram 3
2130mm	4496mm	4446mm	OXXXXO2145	OXXXXO2154	OXXXXO2162
2100mm	5396mm	5346mm			
	6296mm	6246mm			



LOCALLY OWNED  
AND OPERATED

# Airlie sliding and stacker doors

Bendigo Windows enhanced living



## Airlie essential and signature sliding and stacker doors

**NEW** standard size range

Standard sizes will vary for products performing to higher wind pressures

Upgraded performance products available

Bendigo Windows **NEW** sliding and stacker door range



## Airlie essential

Enhance your home with Bendigo Windows NEW **Airlie Essential** sliding and stacker doors.

With their uncluttered lines and large glass areas, Airlie Essential doors bring optimum natural light and a sense of space into any room.

Through their wide openings, Airlie Essential sliding and stacker doors can open your home to the great outdoors, giving you easy access to patios, sun decks, courtyards and gardens.

Superior assembly, materials and fittings ensures ease of use, long life and excellent security. Available in a wide range of sizes and configurations, Airlie Essential doors are suitable for both contemporary and traditional designs.



## Airlie signature

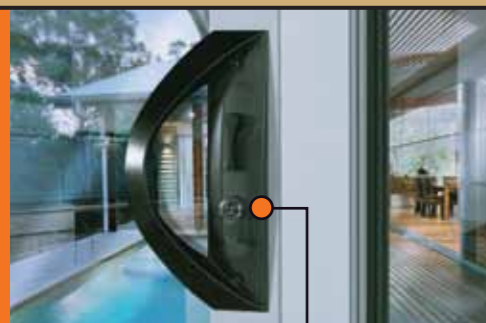
**Airlie Signature** sliding and stacker doors have been designed in response to emerging architectural trends and performance requirements.

These premium doors offer superior features that set them apart from competitors' products for durability, performance and design excellence.

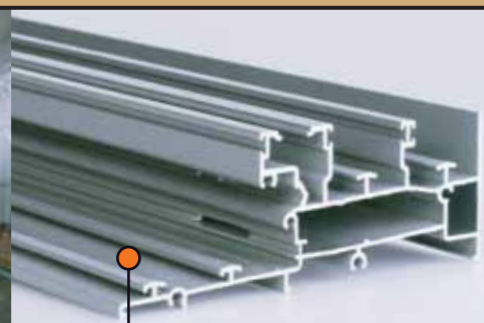
With a maximum height of 2850mm and corner stacking configurations available (90° and 135°), Airlie Signature doors allow expansive openings to be achieved.

Combine this with superior weather, acoustic and energy capabilities, Airlie Signature sliding and stacker doors open up a whole new world of design and performance options for discerning renovators, homeowners, builders and designers.

### key features



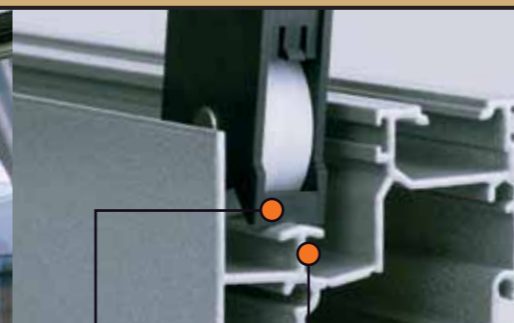
Improved key positioning for easier operation



Integrated tracks for insect, and safety screens



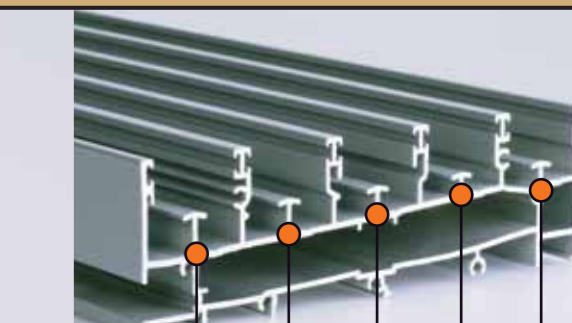
Rounded box section interlocks and mullions prevent curtains from being damaged by sharp edges



Euro Track roller system and roller guard ensures smooth sliding action  
Essential and Signature only



90° and 135° sliding configurations available  
Signature only



5 track system allows for 11 different sliding configurations – 5 standard / 6 non standard  
Signature only

### essential door

#### other features and benefits

- Clean, uncluttered profile for a modern, streamlined look
- Santoprene carbon seals for improved sealing and UV stability
- Enhanced acoustic and energy performance
- New handle with mortice lock for superior security
- Tested to Australian standards (AS1288, AS2047)

#### applications

- Residential construction
- Renovation
- Unit complexes

### options

- Accessibility sill for wheelchair access (sliding door only)
- Available with sidelites

### performance parameters

Maximum door height	2450mm
Maximum door width	6246mm
Maximum panel width	1350mm
Maximum panel weight	50kg
Maximum water rating	300pa
Maximum wind rating	N4 (as per AS4055 – Wind loads for housing)
Maximum glass thickness	6.76mm (single glazed)
Maximum acoustic rating	Rw30 (estimate only)

**note:** Subject to local variations, climate requirements, and confirmation of structural performance

### signature door

#### other features and benefits

- Clean, uncluttered profile for a modern, streamlined look
- Inside and outside sliding panels available
- Santoprene carbon seals for improved sealing and UV stability
- New handle with mortice lock for superior security
- Tested to Australian standards (AS1288, AS2047)

#### applications

- Residential construction
- Renovation
- High-rise / Unit complexes
- Low-rise buildings

### options

- Available with sidelites and hilites (subject to confirmation of structural performance)
- Upgrade to 600pa sill for improved performance

### performance parameters

Maximum door height	2850mm
Maximum door width	6246mm
Maximum panel width	1500mm
Maximum panel weight	100kg
Maximum water rating	Standard sill = 360pa High performance sill = 600pa*
Maximum wind rating	N6 (as per AS4055 – Wind loads for housing)
Maximum glass thickness	12.76mm (single glazed) / 20mm (IGUs)
Maximum acoustic rating	Rw33 (single glazed) (estimate only) Rw44 (full secondary glazing)^

**note:** Subject to local variations, climate requirements, and confirmation of structural performance

\* Does not apply to 166mm frame  
^ Based on 166mm frame